

Current part is item (8) on diagram. Available at www.oshkoshequipment.com

| (1) SMR Code | (2) Federal Stock Number | DESCRIPTION | UNIT of meas | (4) Qty inc. in Unit | 30-day DS maint allowance | | | 30-day GS maint allowance | | | 1-yr aw per 100 equip cnt- gcy | Depot maint aw per 100 equip | Illustration | |
|--------------------|-----------------------------------|---|--------------------|----------------------------------|------------------------------|--------------|---------------|------------------------------|--------------|---------------|--|---|----------------------|--------------------|
| | | | | | (a) 1-20 | (b) 21-50 | (c) 51-100 | (a) 1-20 | (b) 21-50 | (c) 51-100 | | | (a) Figure No. | (b) Item No. |
| | | Reference Number & Mfr. Code | | | | | | | | | | | | |
| PAOZZ | 4730-912-9116 | ADAPTER, STRAIGHT, FLANGED: OIL INLET 10951280 (19207) | EA | 1 | * | * | * | * | * | * | * | * | 22 | 6 |
| PAOZZ | 2990-089-2122 | GASKET SET: TURBOCHARGER MTG 5702704 (19207) | EA | 1 | * | * | * | * | * | * | * | * | 22 | 7 |
| | | COMPOSED OF: | | | | | | | | | | | | |
| PAOZZ | 2990-856-2905 | GASKET: ADAPTER MTG 7383446 (19207) | EA | 1 | * | * | * | * | * | * | * | * | 22 | 7*1 |
| KFFZZ | | 1-GASKET: TURBOCHARGER MTG 11641832 (19207) | | | | | | | | | | | 22 | 7*2 |
| PAOZZ | 2990-856-2906 | GASKET: OIL OUTLET MTG 7748858 (19207) | EA | 1 | * | * | * | * | * | * | * | * | 22 | 7*3 |
| PAFZZ | 5330-899-4481 | GASKET: EXHAUST ELBOW, INNER 10889768 (19207) | EA | 1 | * | * | * | * | * | * | * | * | 22 | 7*4 |
| PAFZZ | 5330-899-4482 | GASKET: EXHAUST ELBOW, OUTER 10889769 (19207) | EA | 1 | * | * | * | * | * | * | * | * | 22 | 7*5 |
| PAFHH | 2990-967-9909 | TURBOCHARGER: COMPRESSION RECIPROCATING ENGINE (REFER TO TM9-2990- 201-45 FOR COMPONENT PARTS) 10912638 (19207) | EA | 1 | * | * | * | * | * | * | * | * | 22 | 8 |
| PAOZZ | 2990-066-2550 | TUBE ASSEMBLY, METAL: OIL DRAIN 10935280 (19207) | EA | 1 | * | * | * | * | * | * | * | * | 22 | 9 |
| PAOZZ | 4730-278-2068 | CLAMP, HOSE: OIL DRAIN 7057806 (19207) | EA | 2 | * | * | * | * | * | * | * | * | 22 | 10 |
| MOOZZ | | HOSE, NONMETALLIC: TUBE TO ADAPTER MANUFACTURE FROM: | EA | 1 | | | | | | | | | 22 | 11 |
| PAOZZ | 4720-278-1113 | HOSE, NONMETALLIC: (4 IN. REQUIRED) MIL- H-6000 (81349) | FT | V | SEE GROUP 9501 | | | | | | | | 22 | 11 |
| PAOZZ | 4730-494-3268 | COUPLING, HOSE: OIL DRAIN 90 (01292) | EA | 1 | * | * | * | * | * | * | * | * | 22 | 12 |
| PAFZZ | 5310-791-9525 | NUT, SELF-LOCKING, HEXAGON: TURBOCHARGER MTG 11641656 (19207) | EA | 4 | * | * | * | * | * | * | * | * | 22 | 13 |
| PAFZZ | 2990-860-2335 | ELBOW, EXHAUST: TURBOCHARGER 7748883 (19207) | EA | 1 | * | * | * | * | * | * | * | * | 22 | 14 |
| PAFZZ | 2815-228-8023 | SUPPORT, EXHAUST ELBOW: 10889778 (19207) | EA | 1 | * | * | * | * | * | * | * | * | 22 | 15 |
| PAFZZ | 5305-958-5246 | SCREW, MACHINE: ELBOW TO SUPPORT MTG MS35190-289 (96906) | EA | 3 | * | * | * | * | * | * | * | * | 22 | 16 |
| PAFZZ | 5310-595-4675 | WASHER, LOCK: SUPPORT TO CRANKCASE MTG MS35340-46 (96906) | EA | 3 | * | * | * | * | * | * | * | * | 22 | 17 |
| PAFZZ | 5305-269-3209 | SCREW, CAP, HEXAGON HEAD: SUPPORT TO CRANKCASE MTG MS90725-58 (96906) | EA | 3 | * | * | * | * | * | * | * | * | 22 | 18 |
| PAFZZ | 5310-682-5930 | WASHER, LOCK: ELBOW TO SUPPORT MTG MS35340-44 (96906) | EA | 3 | * | * | * | * | * | * | * | * | 22 | 19 |
| PAFZZ | 5310-761-6882 | NUT, PLAIN, HEXAGON: ELBOW TO SUPPORT MTG MS51967-2 (96906) | EA | 3 | * | * | * | * | * | * | * | * | 22 | 20 |



Current part is item (8) on diagram. Available at www.oshkoshequipment.com

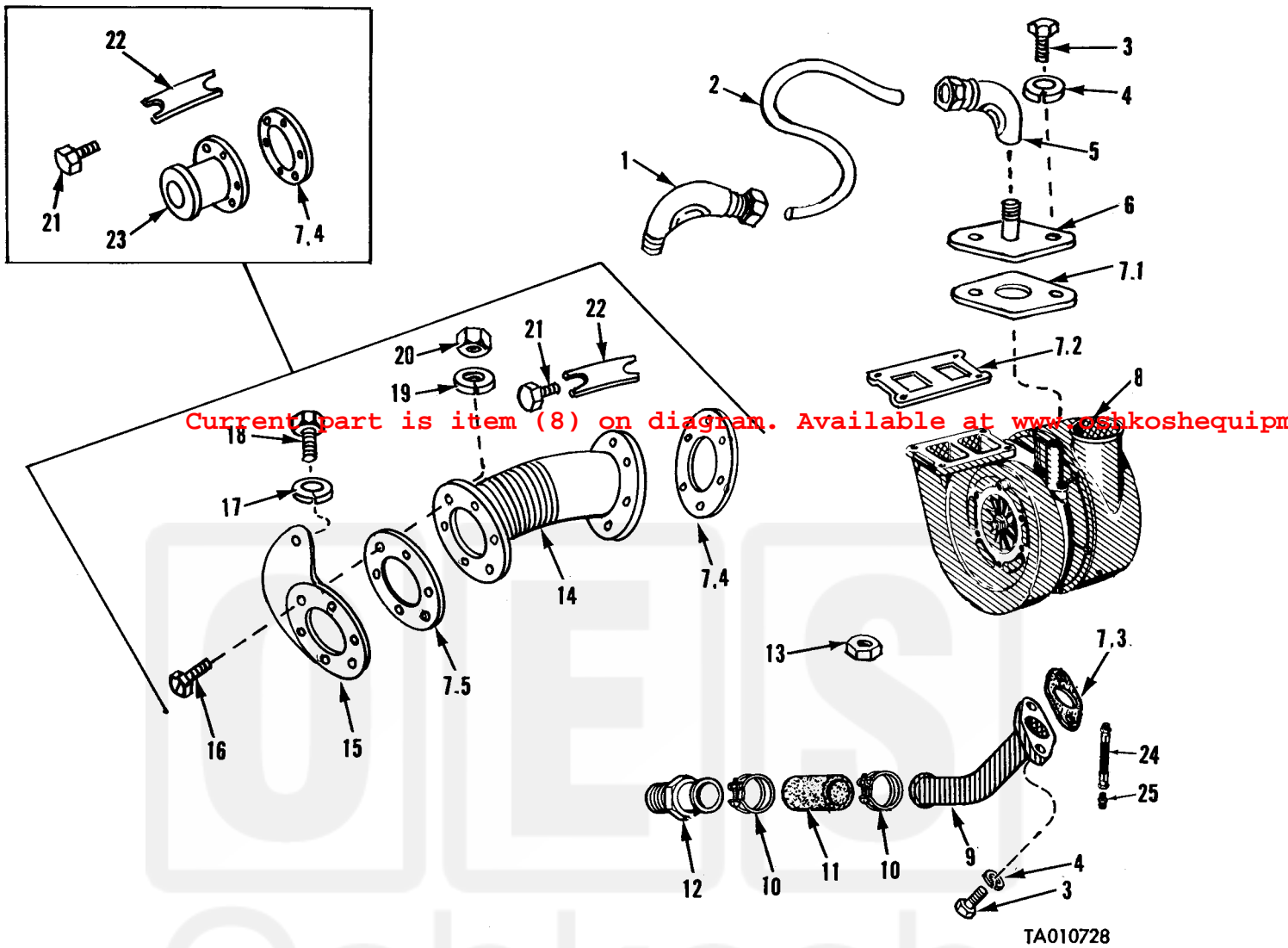


Figure 22. Turbocharger and Associated Parts.